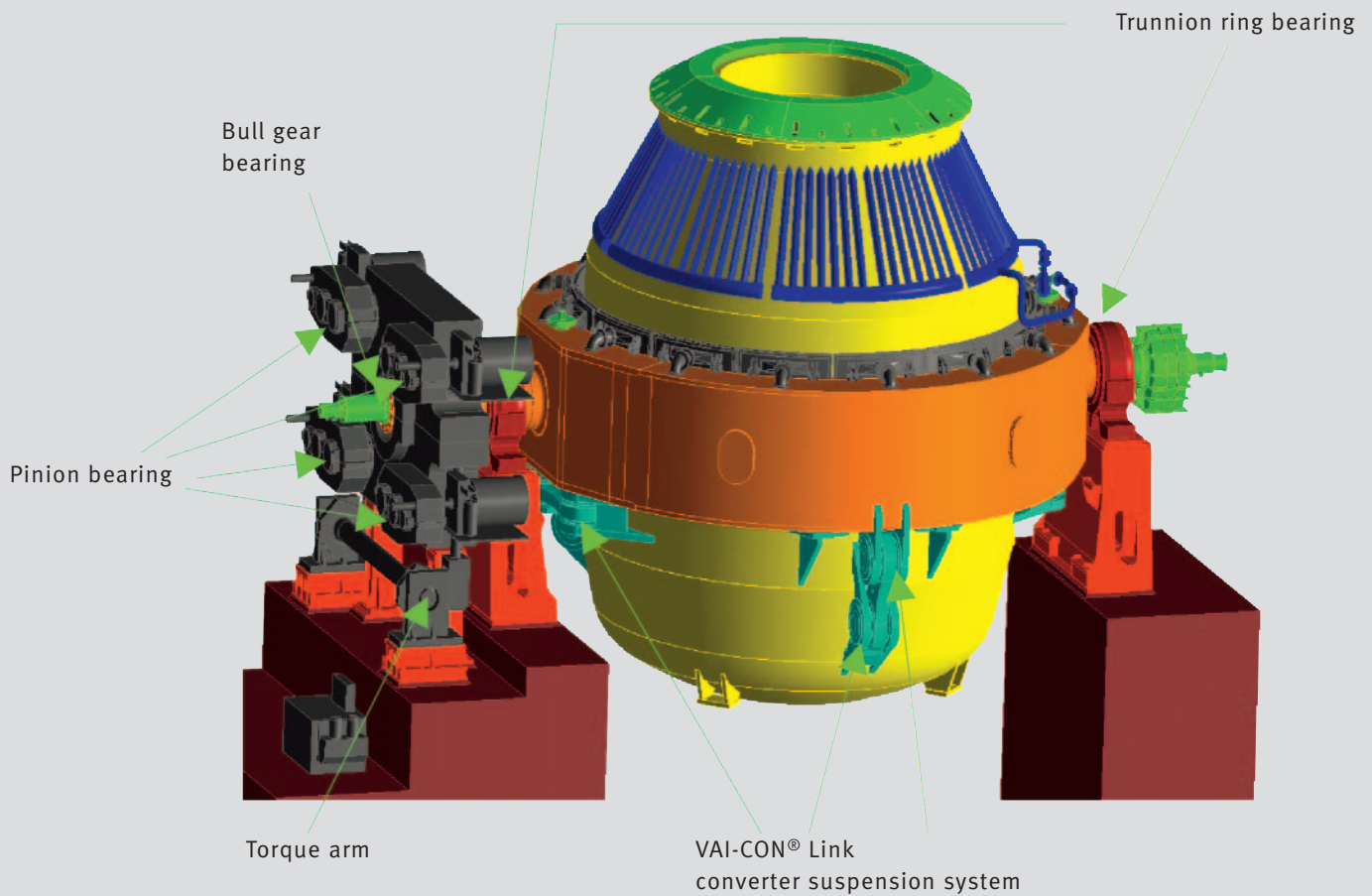


# FAG Rolling Bearings, Seal Components and INA-Elges Spherical Plain Bearings for Large Converters



Examples of Application Engineering

WL 17 528 EA



VAI converter with VAI-CON® Link suspension

Model: VOEST Alpine Industrieanlagenbau, Linz (Austria)

At U.S. Steel Kosice (Slovak Republic), four 180 t. converters produce ca. 5 million tons of steel/year. All converters are successively being converted/replaced by VAI. The scope of delivery and services

includes the designing, engineering and delivery of the complete converter vessel, including trunnion ring and drive system. All bearings are supplied by the Schaeffler Group.

**Rolling bearings and seals are manufactured and delivered by FAG, whereas the spherical plain bearings are manufactured and delivered by INA-Elges.**

## Converter data

Blowing process	LD
Charge weight	180 t.
Capacity	185 m <sup>3</sup>
Trunnion diameter	900 mm
Lubrication	grease
Sealing	profiled rubber seals

## Pinion and gear bearings

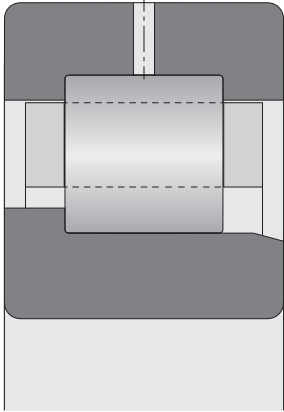
### Pinion

**Cylindrical roller bearings NU2240-E-M1**

### Gear

**Cylindrical roller bearings F-801007.ZL**

Bore	d = 1120 mm
Outside diameter	D = 1360 mm
Width	B = 106 mm
Mass	324 kg



## INA Bearings for VAI-CON® Link

<b>F-365243</b>	280×400×120/155 mm
<b>F-365179</b>	380×520×160/190 mm
<b>F-365423</b>	420×560×160/190 mm

## Maintenance-free radial spherical plain bearings for the torque arm

<b>GE260UK-2RS</b>	260×370×110/150 mm
<b>GE200UK-2RS</b>	200×290×100/130 mm

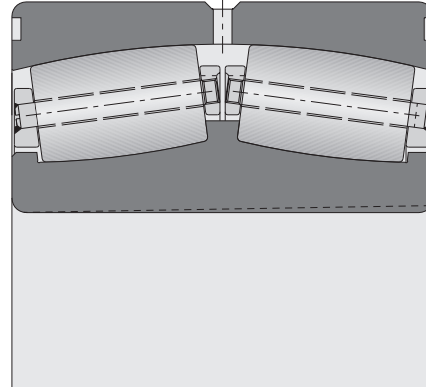


## Trunnion ring bearings

### Spherical roller bearings

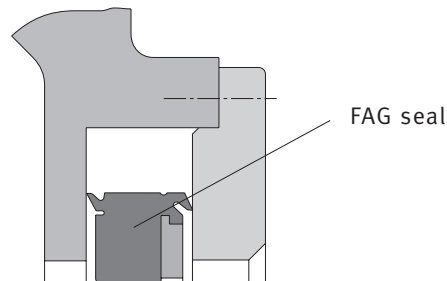
**Z-541831.249/900-B**

Bore	d = 900 mm
Outside diameter	D = 1180 mm
Width	B = 280 mm
Mass	849 kg



## Housing seals for trunnion ring bearings

**PRFL.GSH1003/950.155330**



### Schaeffler KG

Heavy Industries  
Steel

Postfach 1260

97419 Schweinfurt (Germany)

Phone +49 9721 91-0

Fax +49 9721 91-3435

E-Mail [steel@schaeffler.com](mailto:steel@schaeffler.com)

Internet [www.fag.com](http://www.fag.com)