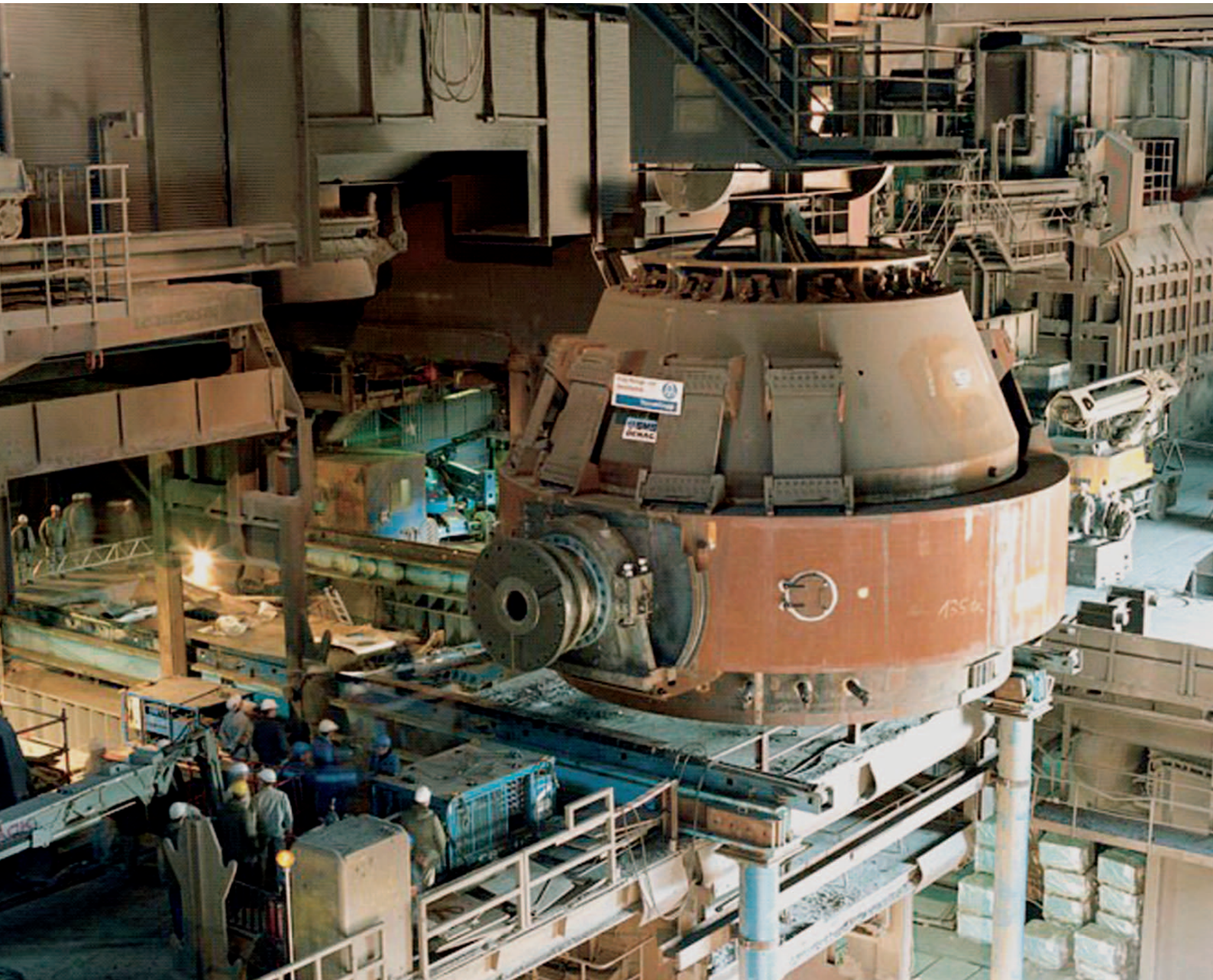


FAG Rolling Bearings and Housing Parts for Converters



Examples of Application Engineering

WL 17 527 EA



Converter trunnion bearing

Courtesy of TKS, Duisburg, Beckerwerth, Germany – oxygen steel plant 2

The ThyssenKrupp-Stahl steelworks in Beckerwerth, Germany, produces ca. 5,7 million tons of steel per year in three converters. All three of the converters are being successively rebuilt.

The rebuilding of the first converter began in 2003, followed by the second beginning at the end of 2003, and the third in 2004.

The bearings and housings were designed, produced and mounted by FAG.

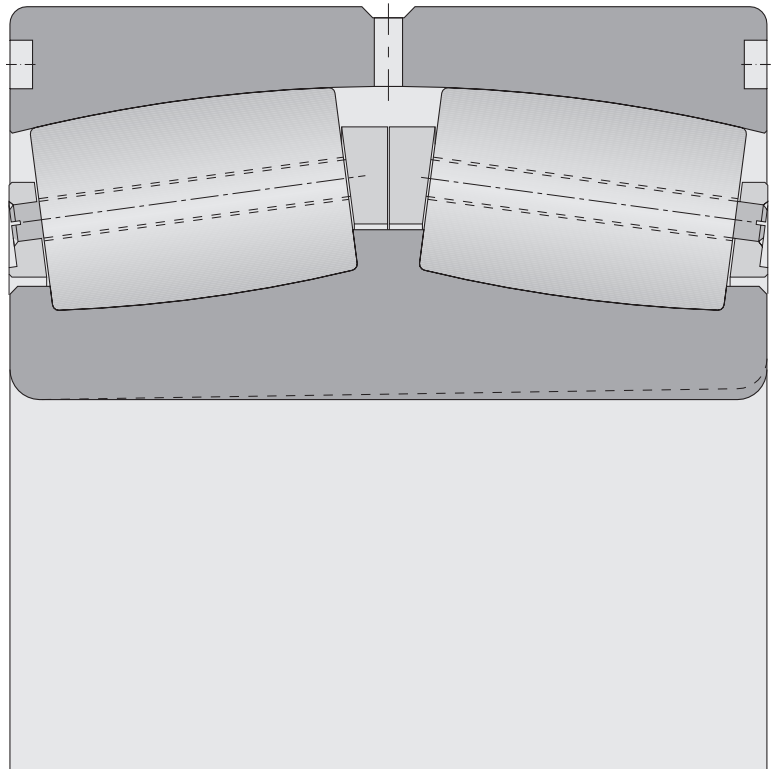
Technical data – converter

Blowing process	BOF/TBM
Heat mass	265 t/290 t (option)
Capacity	179 m ³
Trunnion diameter	1060 mm
Lubrication	Grease
Sealing	Seal with clamping ring

Technical data – bearing

Spherical roller bearing (locating bearing) Z-541835.249/1120B

Bore	d = 1120 mm
Outside diameter	D = 1460 mm
Width	B = 335 mm
Mass	1530 kg



Technical data – housing

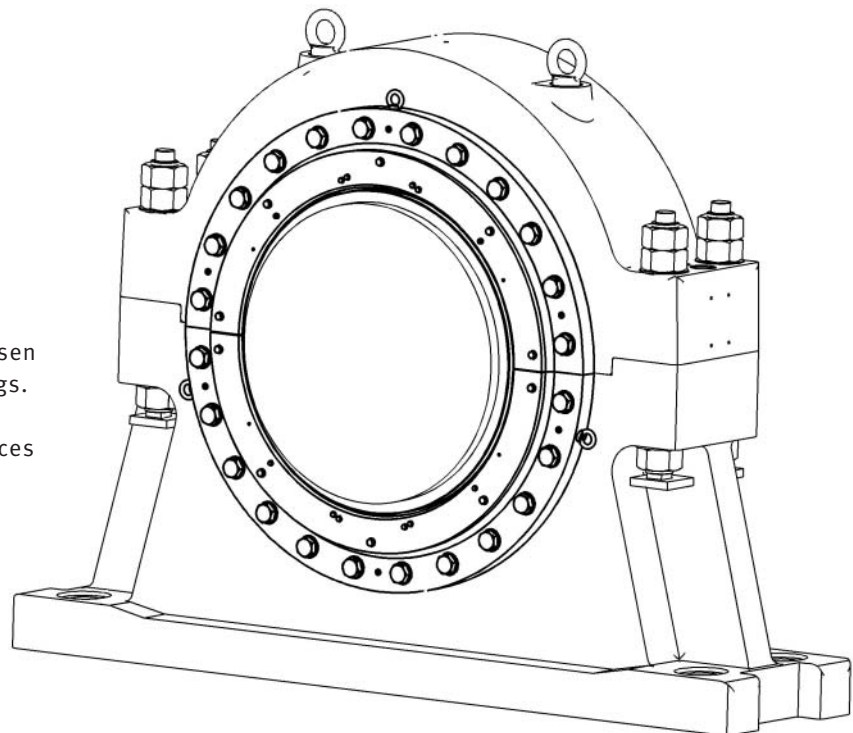
Split plummer block housing 176315.02.SPG

Special features:

The bearing is mounted onto a wear ring; the existing type of housing body was used without modifications.

The housing was designed in such a way that bearings from the Thyssen Bruckhausen plant can be used as replacement bearings.

The mounting space also permits the use of a split bearing. This considerably reduces the time required to change a bearing.



Schaeffler KG

Heavy Industries
Steel

Postfach 1260

97419 Schweinfurt (Germany)

Phone +49 9721 91-0

Fax +49 9721 91-3435

E-Mail steel@schaeffler.com

Internet www.fag.com